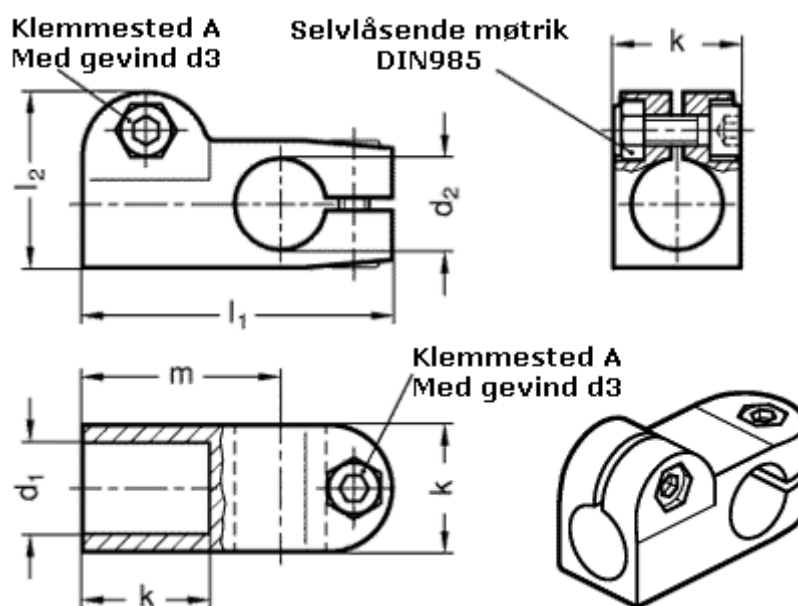


Article number: 20191B16B162NI

Description: E+G

T-angle clamps GN191-B16-B16-22-NI

## Measures



d1 = B16  
d2 = B16  
d3 = M 6  
k = 25  
l1 = 61  
l2 = 34.5  
m = 39